

M12 male 0°/M12 female 0° shielded B-cod.Profibus

PUR 1x2xAWG24 shielded vt UL/CSA+dragchain 8m

PROFIBUS

Male straight – female straight

M12, 4-pole – M12, 2-pole

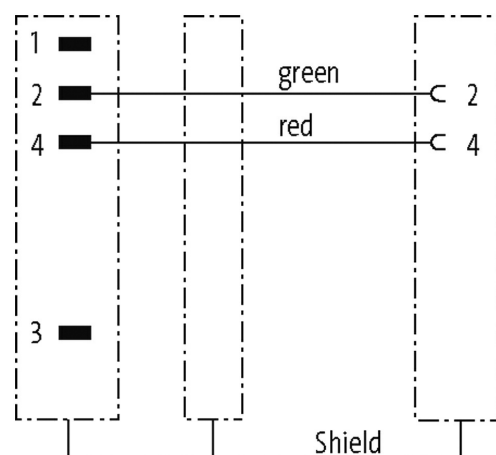
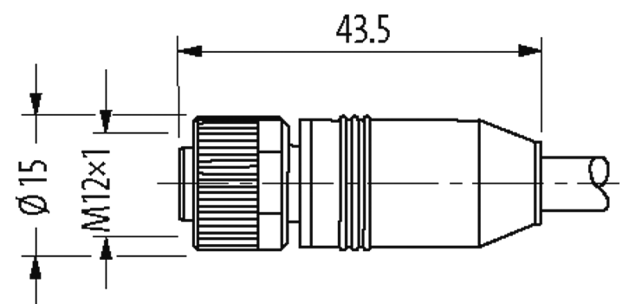
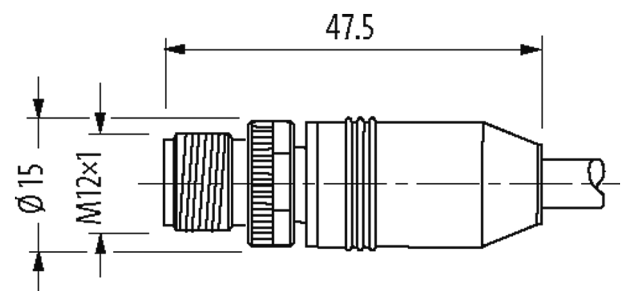
B-coded

shielded

Plastic housings with good resistance against chemicals and oils.

The resistance to aggressive media should be individually tested for your application. Further details on request.

Further cable lengths on request.

Illustration

Product may differ from Image

Approvals

cCSAus



* only for products with UL/CSA approved cable

More Info



Form

Form 44001

Cables

| | |
|------------------------------------|--|
| No./diameter of wires | 1 × 2 × 0.25 mm ² |
| Wire isolation | PE (rd, gn) |
| C-track properties | 5 Mio. |
| Material (jacket) | PUR (UL/CSA) |
| Outer Ø | 7.7 mm ±5% |
| Bend radius (moving) | 12× outer Ø |
| Temperature range (fixed) | -40...+80 °C |
| Temperature range (mobile) | -20...+60 °C |
| Cable identification | 841 |
| Approval (cable) | UL (AWM-Style 20233), CE-conform |
| Cable weight [g/m] | 70,40 |
| Material (wire) | Cu wire, bare |
| Resistor (core) | max. 72 Ω/km (20 °C) |
| Single wire Ø (core) | 0.13 mm |
| Construction (core) | 19 × 0.13 mm |
| Diameter (core) | 1 × 2 × 0.25 mm ² |
| AWG | similar to AWG 24 |
| Material (wire isolation) | ZE-PE |
| Material property (wire isolation) | CFC-, cadmium-, silicone- and lead-free |
| Shore hardness (wire isolation) | 60 ±3 D |
| Wire-Ø incl. isolation | 2.55 mm ±5% |
| Color/numbering of wires | rd, gn |
| Shield | yes |
| | min. 85% |
| Material (jacket) | PUR |
| Material property (jacket) | CFC-, cadmium-, silicone- and lead-free, matt, low-adhesion, machine easy to process, abrasion-resistant |
| Shore hardness (jacket) | 87 ±3 A |
| Outer-Ø (jacket) | 7.7 mm ±5% |
| Color (jacket) | violet |
| chemical resistance | good resistance to oil, gasoline and chemicals (VDE 0472 Teil 803 Test B) |
| thermal resistance | flame retardant UL 1581 VW1 / CSA FT1 |
| Nominal voltage | 300 V |
| Test voltage | 1500 V AC |
| Temperature range (fixed) | -40...+80 °C |
| Temperature range (mobile) | -20...+60 °C |
| Bend radius (fixed) | 7.5 × outer Ø |
| Bend radius (moving) | 12 × outer Ø |
| No. of bending cycles (C-track) | max. 5 Mio. (25 °C) |

| | |
|-------------------------------|-------------------------|
| Traversing distance (C-track) | max. 5 m (horizontal) |
| Travel speed (C-track) | max. 3 m/s |
| Acceleration (C-track) | max. 5 m/s ² |
| Jacket Color | violet |

Technical Data

| | |
|---|--|
| Operating voltage | max. 60 V AC/DC |
| Operating voltage (only UL listed) | max. 30 V AC/DC |
| Rated surge voltage | 1.5 kV |
| Operating current per contact | max. 4 A |
| Material group | IEC 60664-1, category I |
| Coding | B-coded |
| Locking of ports | Screw thread (M12×1 mm) recommended torque 0.6 Nm, self-securing |
| Compression gland | M12 (SW13) |
| Protection | IP65, IP66K, IP67 inserted and tightened (EN 60529) |
| Locking material | Zinc die casting, matte nickel plated |
| Material | PUR |
| suitable for corrugated tube (internal Ø) | without |

General data

| | |
|-------------------|--|
| Standards | DIN EN 61076-2-101 (M12) |
| Mounting method | inserted, tightened |
| Pollution Degree | 3 |
| Temperature range | -25...+85 °C, depending on cable quality |

Commercial data

| | |
|-----------------------|---------------|
| country of origin | DE |
| customs tariff number | 85444290 |
| EAN | 4048879356886 |
| eClass | 27061801 |
| Packaging unit | 1 |